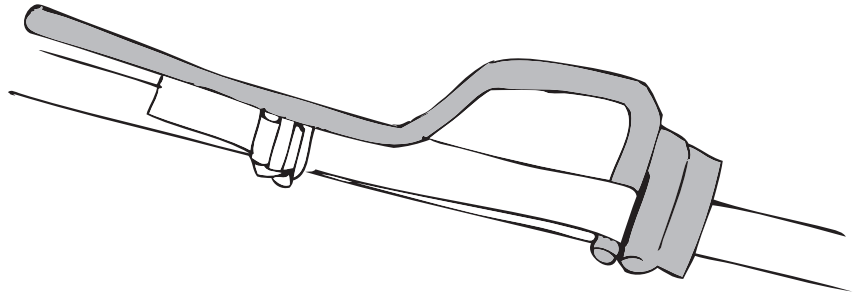
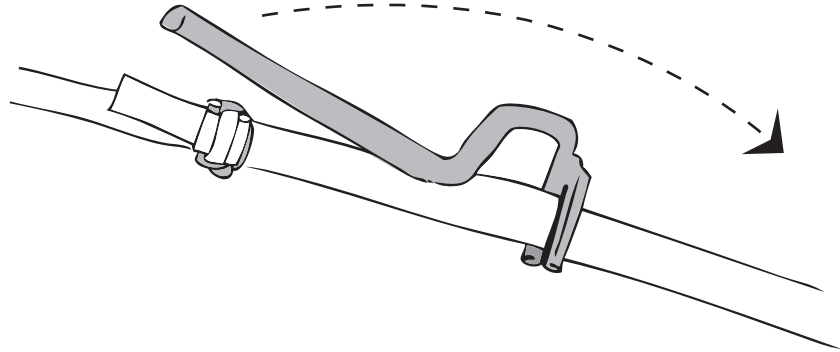


GatorSTRAP® MANUAL TENSIONING TOOL

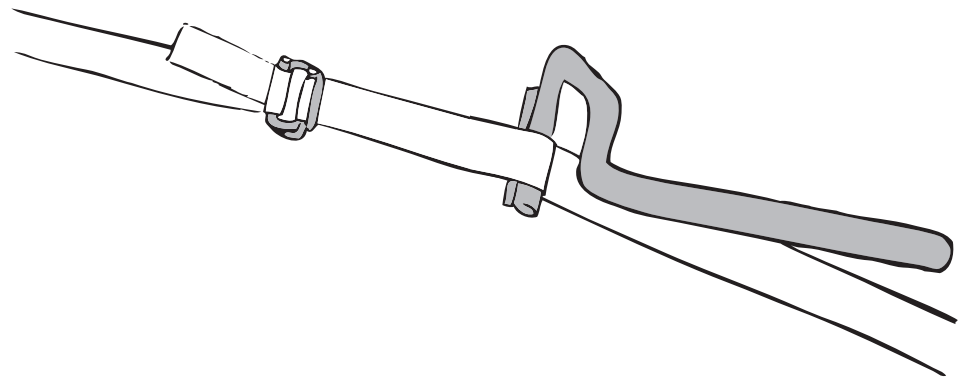
1. Position the tail through the large center area of the tool.



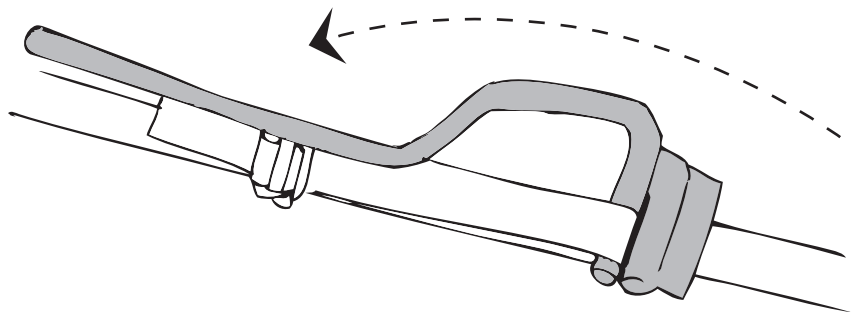
2. Rest the blade of the tool against an edge on the load and pull the handle towards you to apply tension to the strap.



3. Pull the slack out of the strap and repeat steps 1 and 2.



4. Pull until you reach desired tension.



CAROLINA STRAPPING
AND BUCKLES COMPANY



2740 West Franklin Boulevard | PO Box 12336 | Gastonia, NC 28052 | Ph. 704.349.0000 | Fax 704.349.0010

www.CarolinaStrapping.com

Copyright © 2005 Burlan Corporation. All Rights Reserved.

03/09